



Vintage Shirt Quilt

Sarah Barnett, Little Foot Quilt Shoppe, www.littlefoot.net

12" blocks, quilt measures approx. 80" x 80". Easily alter the size by making more or less blocks.

Materials Needed

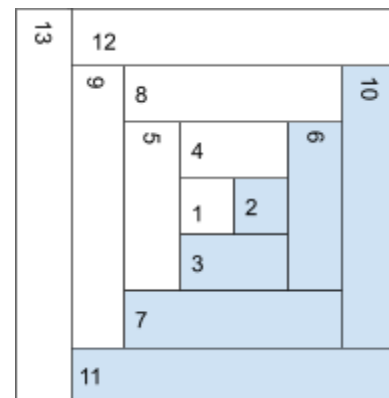
- Approx 5 yards background fabric - one fabric or assorted (probably less than 5 yards would do)
- Approx 5 yards assorted fabrics - variety is key!
- OPTIONAL - Strippy Stars Tool from Creative Grids
- Border - 1 yard
- Binding - 5/8 yard - OR go scrappy - assorted lengths and prints cut into 2 1/4" strips.

Courthouse Steps Log Cabin Blocks

Following instructions are how I pieced the blocks. Feel free to use your preferred method, just be sure to finish up with 12 ½" blocks. **Make 24 blocks.**

From Background AND Assorted Fabrics Cut 24 each-

- 2 ¼" squares
- 2 ¼" x 4" rectangles
- 2 ¼" x 5 ½" rectangles
- 2 ¼" x 7 ½" rectangles
- 2 ¼" x 9" rectangles
- 2 ¼" x 11" rectangles
- **2 ¼" x 12 ½" rectangles - ONLY CUT FROM BACKGROUND FABRIC**



Use ¼" seams to piece blocks together. See illustration above for piecing order.

Strippy Star Blocks

Personally I found it very easy to use the Strippy Stars tool from Creative Grids. This tool makes it so easy to piece these stars. **Make 12 blocks.**

From Background Fabrics Cut -

- 2 ½" squares - cut 24
- 5" squares - cut 24
- 4 ½" squares - cut 48

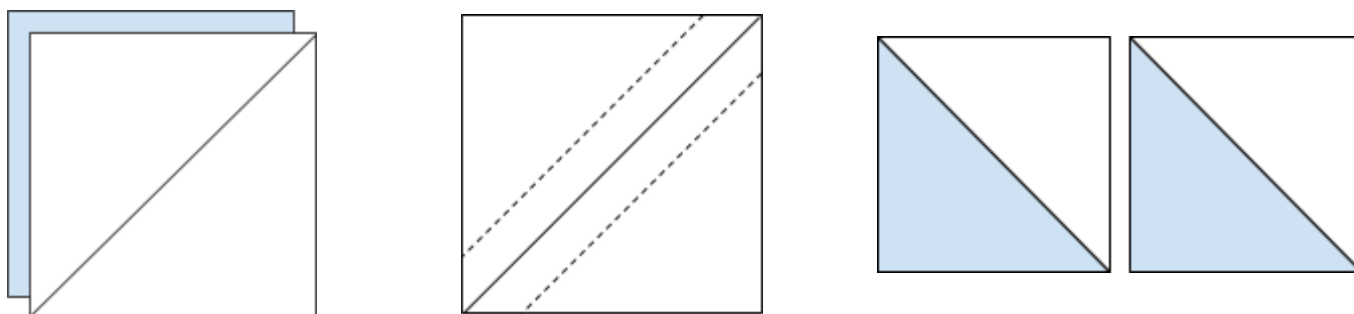
From Scrappy Fabrics Cut -

- 2 ½" squares - cut 24
- 5" squares - Cut 24
- Several strips measuring 2 ½" wide - you can cut strips as you need them. These are for star points.

Half Square Triangles

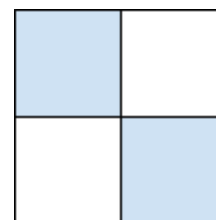
Draw a diagonal line on the wrong side of 24 scrappy 5" squares. Pair a 5" background square with a 5" scrappy square. Place faces together. Stitch $\frac{1}{4}$ " away from either side of the drawn diagonal line. Cut apart on drawn line. Press toward the scrappy fabric.

Trim if necessary to measure $4\frac{1}{2}$ " square. **Make 48 Half Square Triangles**



Four Patch Units

Using the $2\frac{1}{2}$ " squares, **make 12 four patch units.**



Star Tip Units

If you are using the Strippy Stars tool from Creative Grids, follow the instructions for the $12\frac{1}{2}$ " block. If you are not, do as follows to make the star tip units:

On the right side of each of the (48) $4\frac{1}{2}$ " background squares, draw a triangle. You can be symmetrical, or wonky! Mine are symmetrical. (But I see a wonky one in my future!).

See Diagram 1.

Next, place one of your $2\frac{1}{2}$ " strips of scrappy fabric face down, along the edge of the line you have drawn. Using a $\frac{1}{4}$ " seam stitch in place. **See Diagram 2.**

Press the scrappy strip back and trim even with the edges of the background square.

Repeat on the other side. **See Diagram 3.**

Make 48 Star Tip Units.

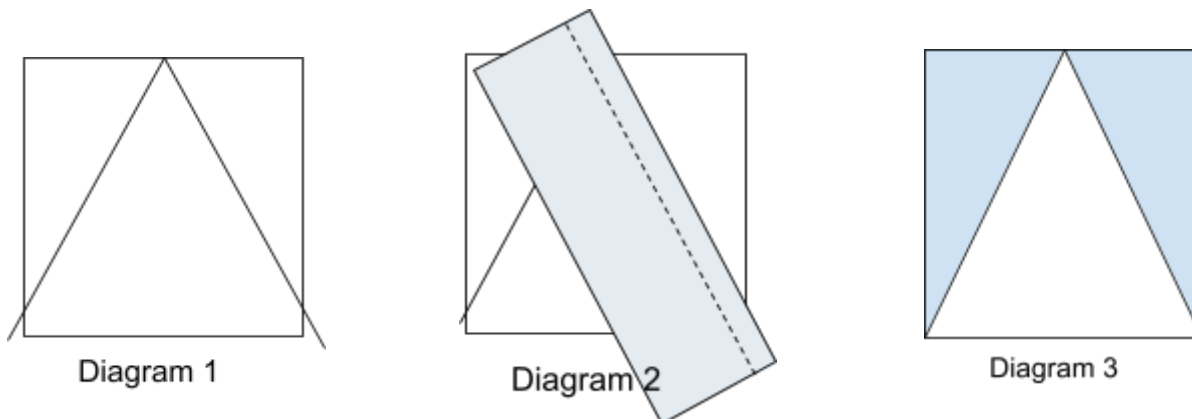
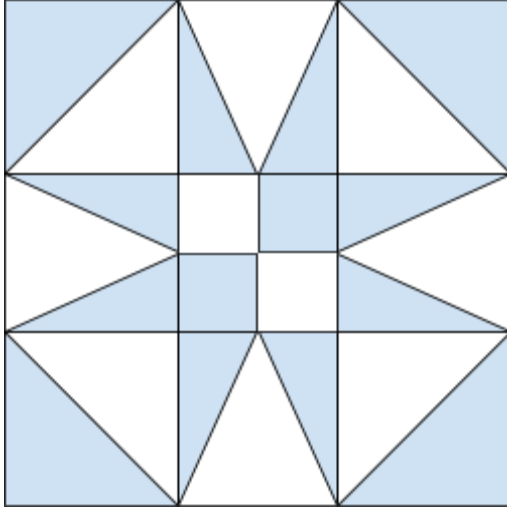


Diagram 1

Diagram 2

Diagram 3



Assemble Star Blocks using 4 Half Square Triangles, 1 Four Patch, and 4 Star Tip Units.

Make 12 Stars.

See photo to determine how to sew into rows. I added a 4" border around the edge of my quilt.

Have fun!!